

Monitor. Integrate. Alert. Peace of Mind.

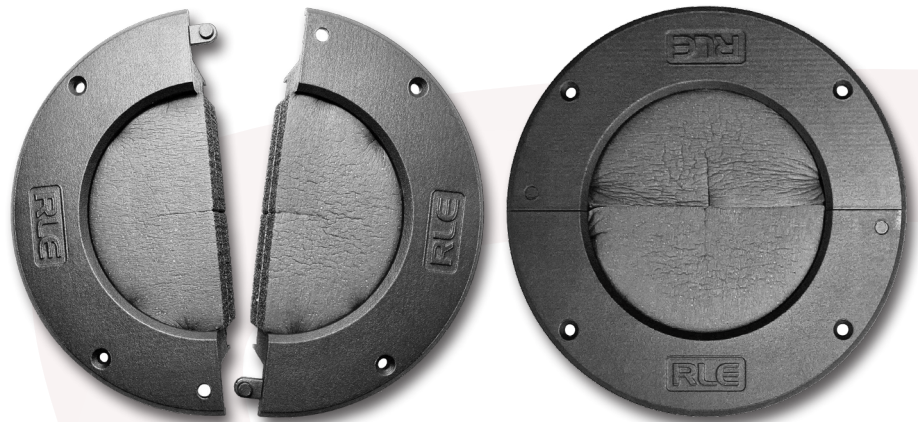
Applications

Plugging holes is one of the easiest ways to improve airflow and efficiency in any raised floor environment. If air can escape through holes in a raised floor you limit the effectiveness of containment and decrease your cooling efficiency.

RLE's patent pending fire rated foam grommets seal holes in raised floors and show an immediate efficiency return.

Key Features

- Foam composition seals better and lets less air escape than the leading competitor
- Split design is easy to insert around any size cable bundle in existing cutouts
- Fulfills best practice guidelines for data center containment scenarios
- 6" round grommet available now, square and rectangular grommets available soon
- Flame rated to meet facility safety requirements
- 4 screws provided to ensure a secure installation



50% Less Airflow Loss Than The Leading Competitor

Fill cutouts in raised floors with RLE's grommets and see an immediate improvement in airflow and efficiency.

What Sets RLE's Grommets Apart?

- **Our foam grommet seals better** and prevents air from passing through the grommet significantly better than the leading competitor's grommet.
- **Purchase one or several grommets at a time** - we understand each facility's needs are unique, and want to help you meet your individual efficiency goals. Whether you need one grommet or a box full, we're happy to help.
- **Use whole or quickly split into halves** for installation around existing cables or pipes, or against a flat edge.
- **Made in the USA**, our grommets are stocked and ready to ship from our manufacturing facility in Colorado.
- **Our patent pending design** is a testament to our commitment to innovation and ensures you receive the quality and reliability you expect from all RLE products.

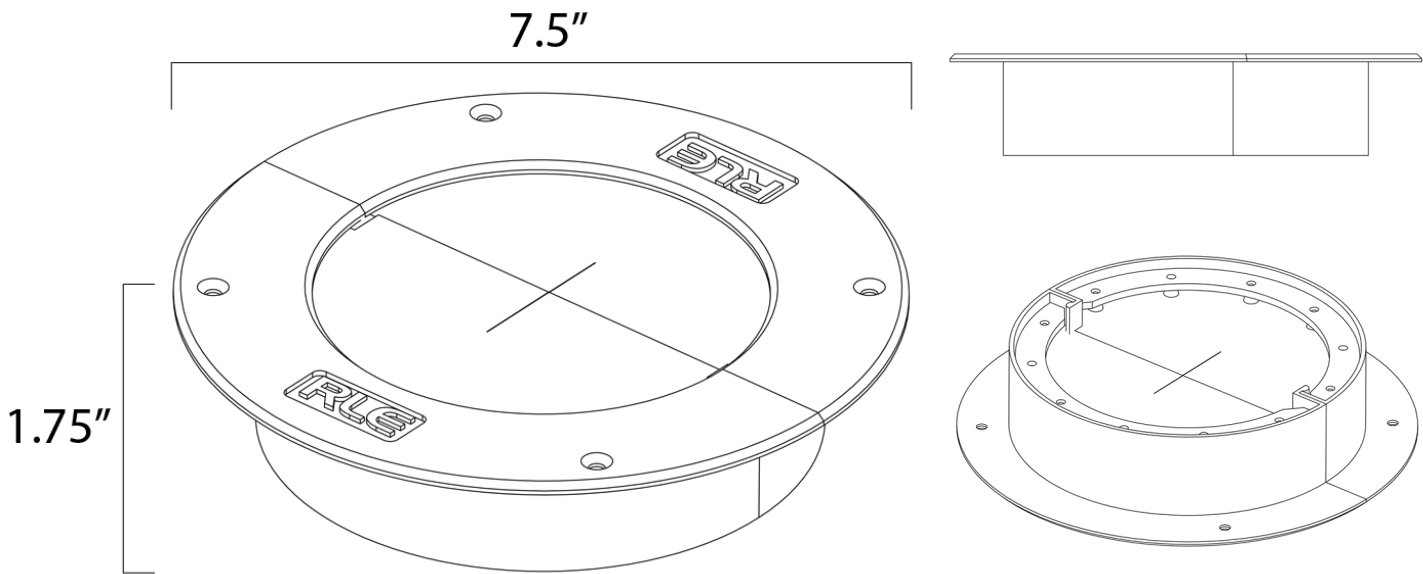
Grommets • Compatible with all new and existing raised floor systems

Product Codes	
GRM-6RND	Grommet; 6" round

How Much Better Are RLE's Grommets?

Our grommets were tested against the leading competitor's grommets. The results tell the story:

Test - Using an air hood, what is the measured plenum pressure in each situation?	Competitor's 6" Round Grommet (CFM/100 in ²)	RLE's 6" Round Grommet (CFM/100 in ²)	How much less air escapes when you use RLE's grommet instead of the competitor's? Improvement calculated in percentage of airflow.	Estimated Savings Per Year with RLE Grommets, per 100 in ²
No Cable Bundle	5.656	2.502	55.76%	\$73.60
Small Cable Bundle	6.779	2.812	58.52%	\$77.24
Medium Cable Bundle	8.032	4.430	44.85%	\$59.20
Large Cable Bundle	10.200	5.422	46.84%	\$61.83



6" Round Grommet Technical Specifications

Overall Size	7.5" x 1.75" (19.05cm x 4.45cm)
Weight	7.4oz (210g)
Height Above Floor	0.25" (0.635cm)
Hole Cut Diameter	6.0" (15.24cm)
Minimum	5.78" (14.68cm)
Maximum	6.22" (15.8cm)
Usable Cable Area	15.9 in ² (102.6 cm ²)
Composition	
Frame	Polypropylene; 20% Talc filled
Foam	Ensolite SF0
Flame Rating	
Frame	UL94 H-B
Foam	UL94 HF-1
Compatibility	Compatible with all new and existing raised floor systems
Country of Origin	United States of America

